

CHAPTER 4. PARTS CATALOG

CONTENTS

| | |
|--------------------------------|------|
| PowerShot G5 | |
| CASING PARTS SECTION ----- | Pg1 |
| INTERNAL PARTS SECTION-1 ----- | Pg2 |
| INTERNAL PARTS SECTION-2 ----- | Pg3 |
| TOP COVER SECTION ----- | Pg4 |
| EVF UNIT SECTION ----- | Pg5 |
| BATTERY BOX UNIT SECTION ----- | Pg6 |
| Fuse ----- | Pg7 |
| Accessories-1 ----- | Pg8 |
| Accessories-2 ----- | Pg9 |
| Accessories-3 ----- | Pg10 |
| Service Tools-1 ----- | Pg11 |
| Service Tools-2 ----- | Pg12 |

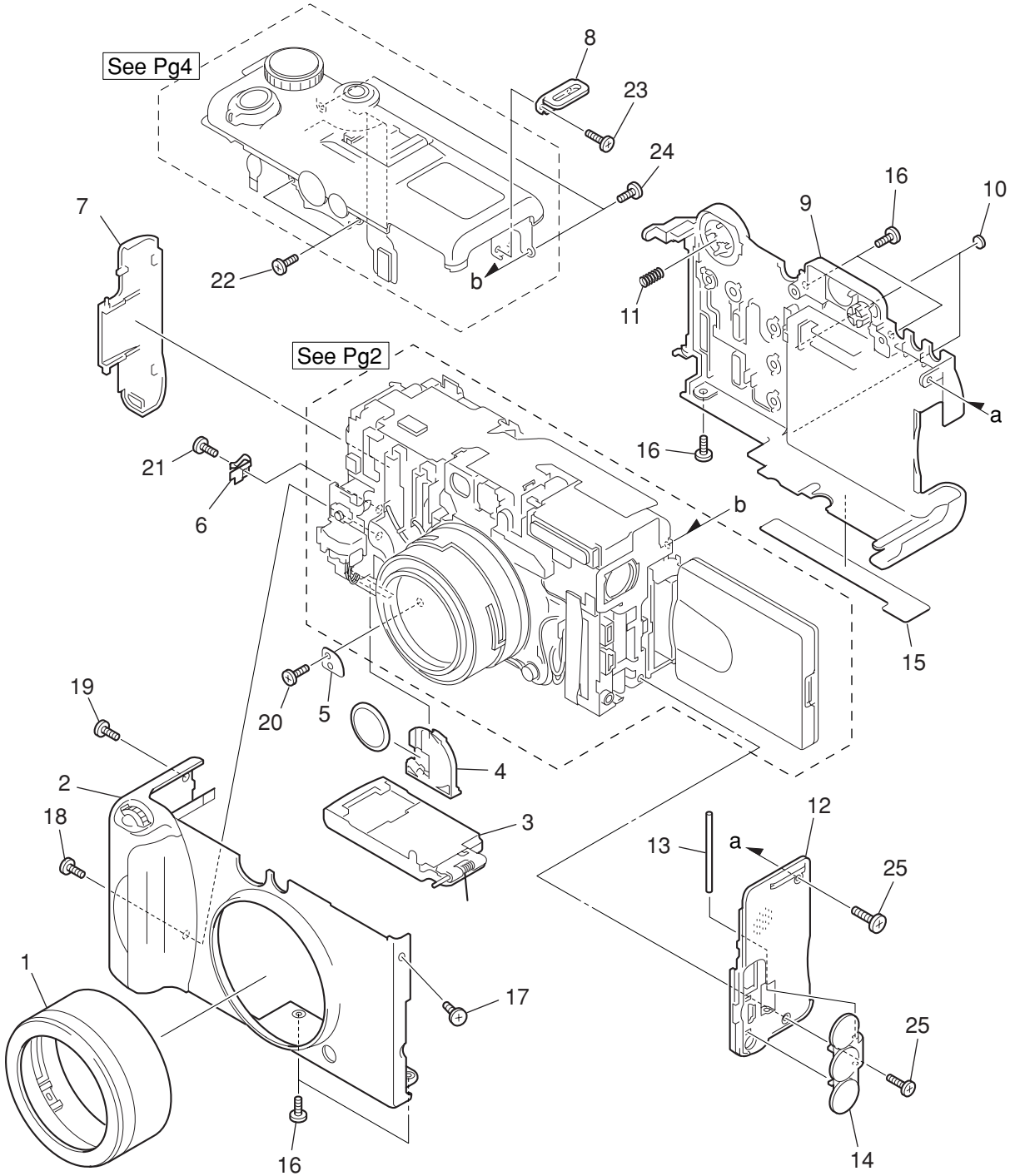
CLASS凡例

- A: 使用頻度 高
- B: 使用頻度 中
- C: 使用頻度 低
- D: 安全規格部品
- E: 消耗部品
- F: 標準ネジ、ワッシャー
- S: 供給制限品
- Y: サービス工具

Category of CLASS

- A: Frequency of use: High
- B: Frequency of use: Middle
- C: Frequency of use: Low
- D: Safety-related critical parts
- E: Consumable parts
- F: Standard screws and washers
- S: Supply of the parts is limited
- Y: Service Tools

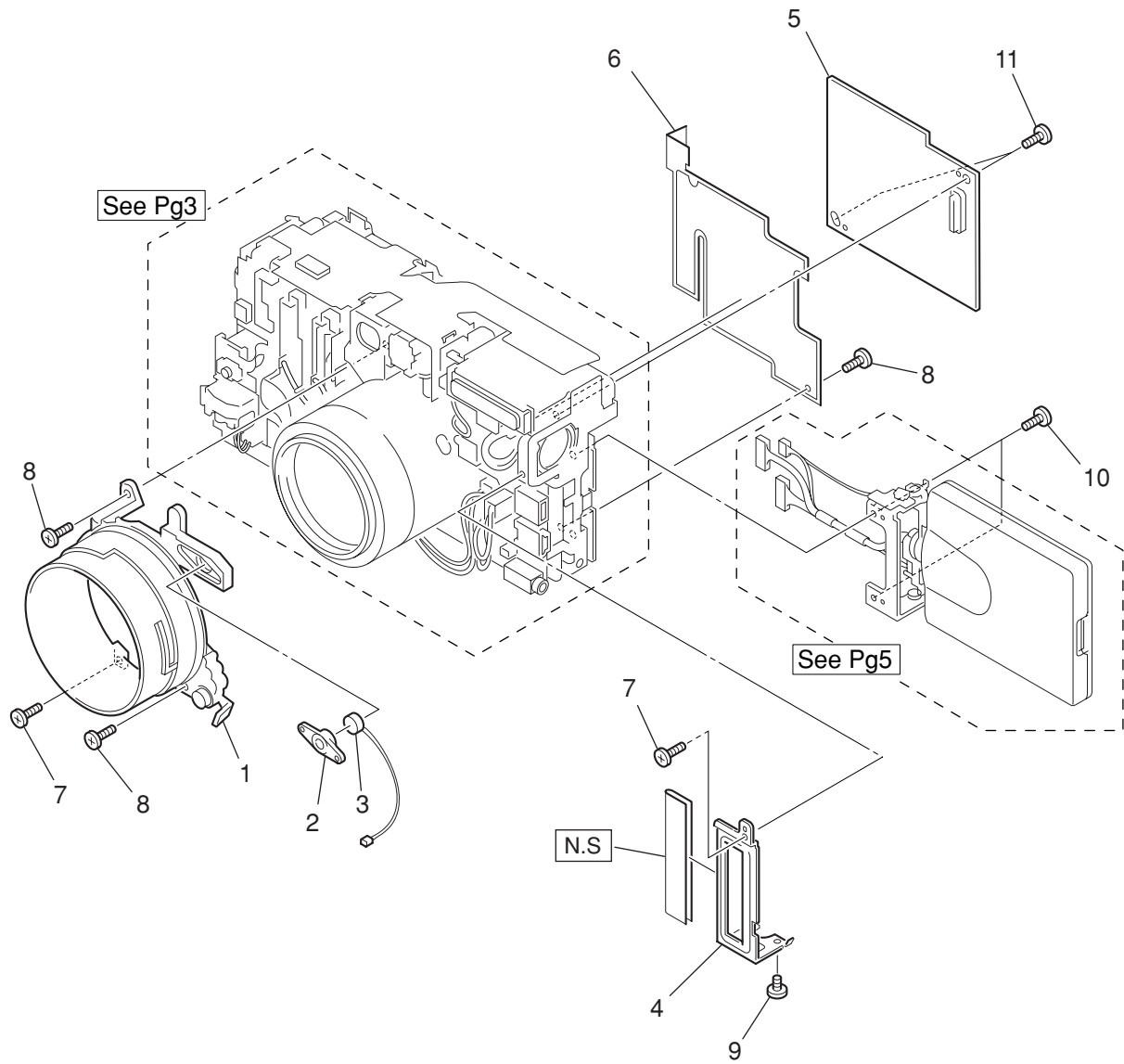
CASING PARTS SECTION



PARTS LIST

| SYMBOL | PARTS NO. | CLASS | QTY | DESCRIPTION | REMARKS |
|--------|--------------|-------|-----|------------------------|--------------------------------|
| 1 | CM1-1618-000 | B | 1 | FRONT CAP UNIT | |
| 2 | CM1-1607-000 | B | 1 | FRONT COVER UNIT | |
| 3 | CM1-1617-000 | B | 1 | BATTERY LID UNIT | |
| 4 | CD1-3264-000 | B | 1 | HOLDER, DATE BATTERY | |
| 5 | CD1-4778-000 | C | 1 | HOLDER, BATTERY SHAFT | |
| 6 | CD1-4782-000 | C | 1 | SPRING, CF CLIPPING 2 | |
| 7 | CD1-5010-000 | B | 1 | COVER, CF | |
| 8 | CD1-4837-000 | B | 1 | BASE, STRAP RIGHT | |
| 9 | CM1-1604-000 | B | 1 | REAR COVER UNIT | |
| 10 | CD1-5004-000 | B | 2 | BUSH, LCD | |
| 11 | CS8-5211-000 | C | 1 | SPRING, SELECTOR | |
| 12 | CD1-4995-000 | B | 1 | COVER, SIDE | |
| 13 | CS8-3256-000 | C | 1 | SHAFT, JACK COVER | |
| 14 | CD1-5007-000 | B | 1 | COVER, JACK | |
| 15 | CY1-6290-000 | B | 1 | PLATE, BODY NUMBER (J) | (FOR JAPAN) #13111xxxxx |
| | CY1-6291-000 | B | 1 | PLATE, BODY NUMBER (N) | (FOR EUROPE, ASIA) #13311xxxxx |
| | CY1-6292-000 | B | 1 | PLATE, BODY NUMBER (E) | (FOR USA, CANADA) #13211xxxxx |
| | CY1-6296-000 | B | 1 | PLATE, BODY NUMBER(C) | (FOR CHINA) #13651 xxxxx) |
| 16 | CD1-5030-000 | C | 5 | SCREW | |
| 17 | CD1-5028-000 | C | 1 | SCREW | |
| 18 | CD1-5032-000 | C | 1 | SCREW | |
| 19 | CD1-5033-000 | C | 1 | SCREW | |
| 20 | XA4-9170-359 | F | 1 | SCREW | |
| 21 | XA4-5170-307 | F | 1 | SCREW | |
| 22 | XA4-9170-407 | F | 2 | SCREW | |
| 23 | XA1-7170-357 | F | 1 | SCREW | |
| 24 | XA1-7170-307 | F | 2 | SCREW | |
| 25 | CD1-5031-000 | C | 2 | SCREW | |

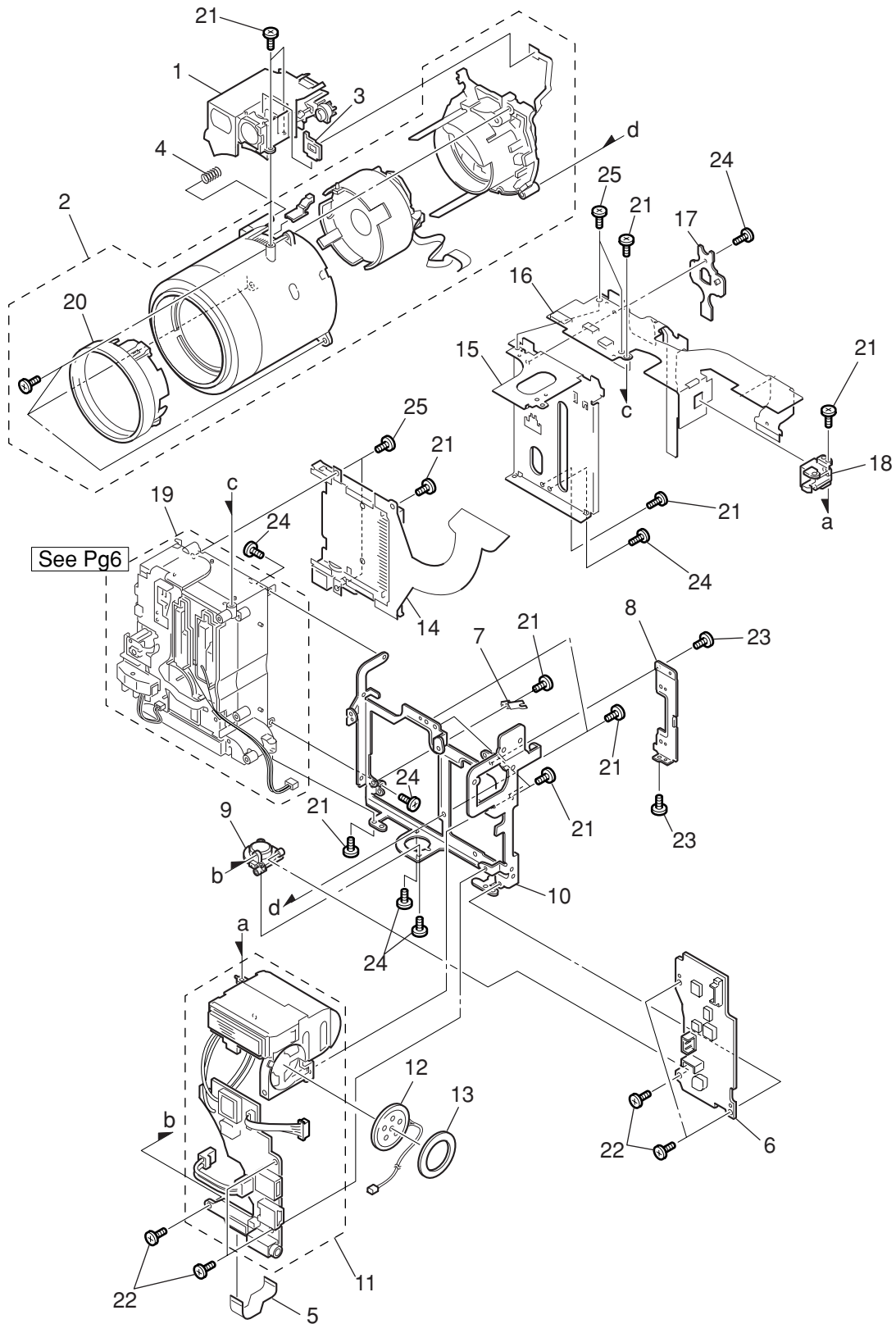
INTERNAL PARTS SECTION-1



PARTS LIST

| SYMBOL | PARTS NO. | CLASS | QTY | DESCRIPTION | REMARKS |
|--------|--------------|-------|-----|--------------------|---------|
| 1 | CM1-1615-000 | C | 1 | MAIN BARREL UNIT | |
| 2 | CD1-3213-000 | C | 1 | HOLDER, MICROPHONE | |
| 3 | CM1-1564-010 | C | 1 | MICROPHONE UNIT | |
| 4 | CD1-4850-000 | C | 1 | FRAME, SIDE COVER | |
| 5 | CM1-1619-000 | C | 1 | PCB ASS'Y, MAIN | |
| 6 | CD1-4911-000 | C | 1 | SHEET, MAIN | |
| 7 | XA4-9170-359 | F | 2 | SCREW | |
| 8 | XA1-7170-307 | F | 3 | SCREW | |
| 9 | CD1-3108-000 | C | 1 | SCREW | |
| 10 | CD1-3798-000 | C | 2 | SCREW | |
| 11 | CD1-4987-000 | C | 2 | SCREW | |

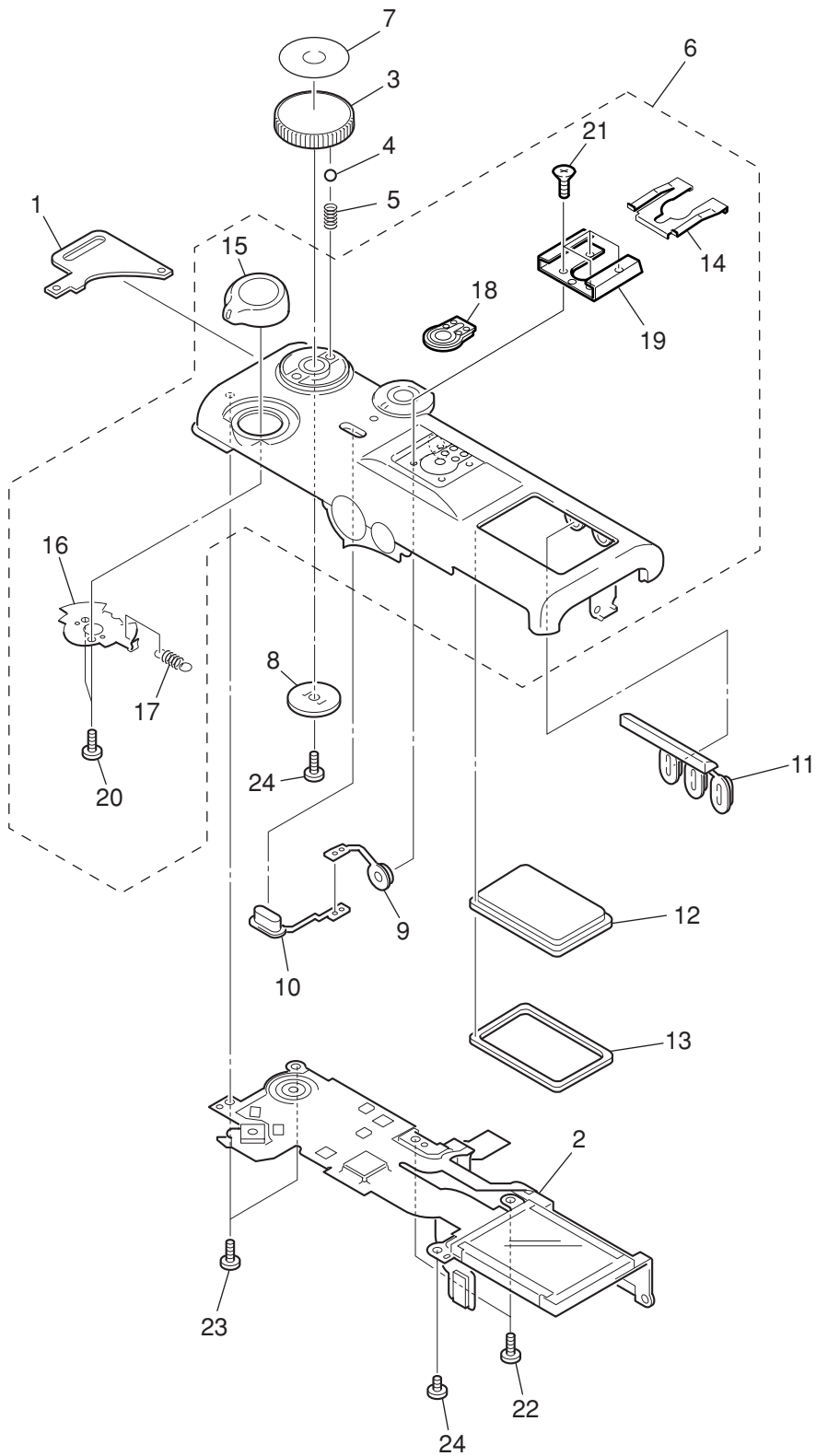
INTERNAL PARTS SECTION-2



PARTS LIST

| SYMBOL | PARTS NO. | CLASS | QTY | DESCRIPTION | REMARKS |
|--------|--------------|-------|-----|----------------------------|---------|
| 1 | CM1-1463-000 | B | 1 | FINDER UNIT | |
| 2 | CM1-1602-000 | B | 1 | OPTICAL UNIT | |
| 3 | CD1-3869-000 | C | 1 | HOLDER, LED | |
| 4 | CS8-5209-000 | C | 1 | SPRING, CCD | |
| 5 | CK1-0670-000 | C | 1 | FPC, MAIN/FLASH | |
| 6 | CM1-1632-000 | C | 1 | PCB ASS'Y, DC/DC CONVERTER | |
| 7 | CD1-4433-000 | C | 1 | PLATE, ZOOM GND | |
| 8 | CD1-4838-000 | C | 1 | FRAME, SUB | |
| 9 | CD1-4844-010 | C | 1 | BASE, TRIPOD | |
| 10 | CD1-4748-000 | C | 1 | FRAME, MAIN | |
| 11 | CM1-1473-010 | C | 1 | FLASH/JACK UNIT | |
| 12 | CM1-1631-000 | C | 1 | SPEAKER UNIT | |
| 13 | CD1-4848-000 | C | 1 | BUSH, SPEAKER | |
| 14 | CM1-1641-000 | C | 1 | CF UNIT | |
| 15 | CD1-4765-000 | C | 1 | FRAME, REAR | |
| 16 | CM1-1638-000 | C | 1 | PCB ASS'Y, BUTTON | |
| 17 | CD1-4762-000 | C | 1 | BASE, SEL. BUTTON | |
| 18 | CD1-4812-000 | C | 1 | HOLDER, EF SENSOR | |
| 19 | CM1-1614-000 | C | 1 | BAT BOX UNIT | |
| 20 | CM1-1642-000 | B | 1 | FRONT LENS UNIT | |
| 21 | XA4-9170-359 | F | 12 | SCREW | |
| 22 | CB1-1998-000 | C | 6 | SCREW | |
| 23 | CD1-3798-000 | C | 2 | SCREW | |
| 24 | XA1-7170-307 | F | 6 | SCREW | |
| 25 | XA1-7170-147 | F | 4 | SCREW | |

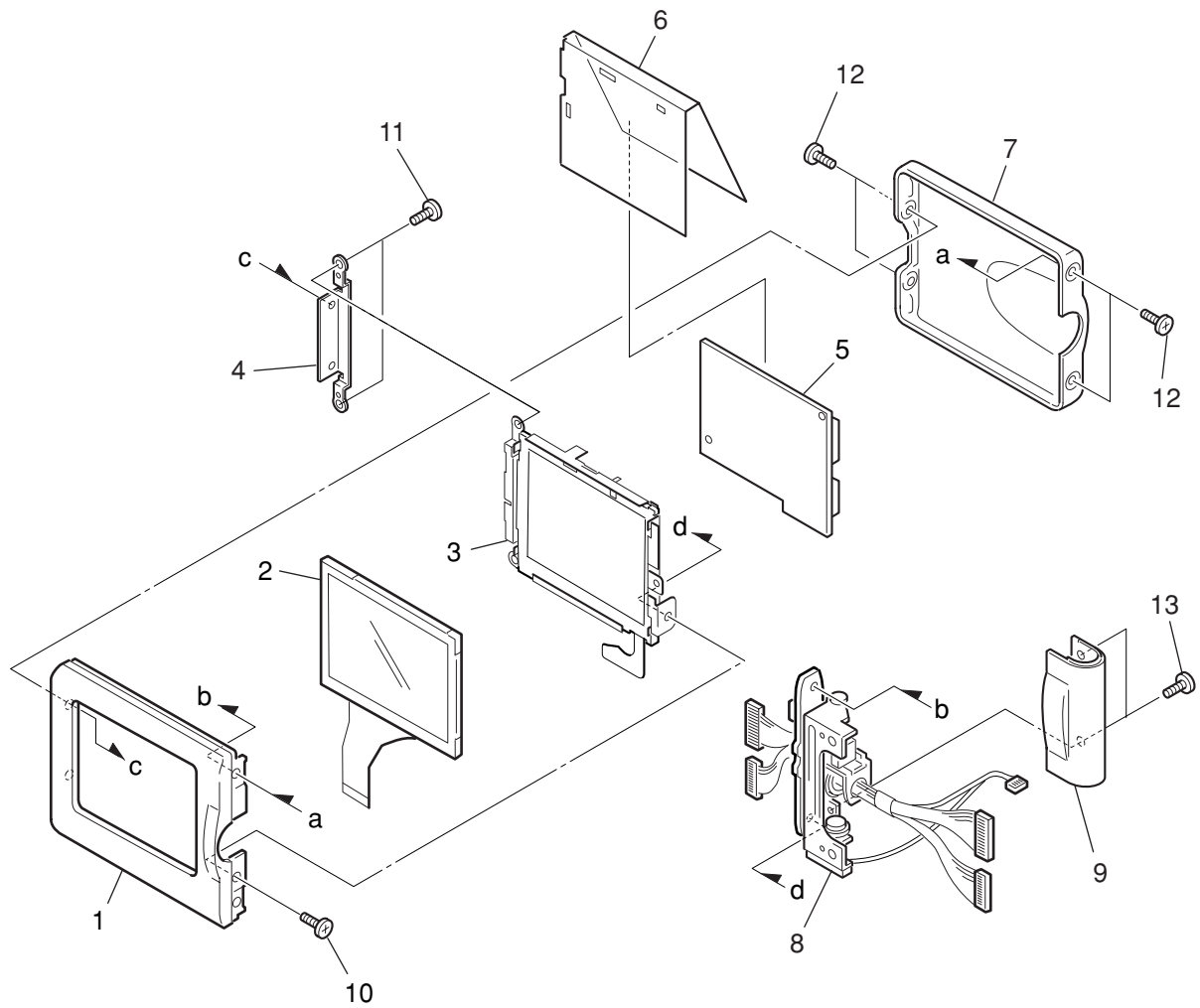
TOP COVER SECTION



PARTS LIST

| SYMBOL | PARTS NO. | CLASS | QTY | DESCRIPTION | REMARKS |
|--------|--------------|-------|-----|------------------------|---------|
| 1 | CD1-4836-000 | B | 1 | BASE, STRAP LEFT | |
| 2 | CM1-1608-000 | C | 1 | B/W LCD UNIT | |
| 3 | CD1-5019-000 | B | 1 | DIAL, MODE | |
| 4 | XG8-1500-591 | C | 1 | BALL, MODE DIAL | |
| 5 | CS8-5292-000 | C | 1 | SPRING, MODE DIAL | |
| 6 | CM1-1610-000 | B | 1 | TOP COVER UNIT | |
| 7 | CD1-5018-000 | B | 1 | CAP, MODE DIAL | |
| 8 | CL1-1106-000 | C | 1 | MODE DIAL BASE UNIT | |
| 9 | CD1-5027-000 | B | 1 | BUTTON, TOP3 | |
| 10 | CD1-5024-000 | B | 1 | BUTTON, TOP1 | |
| 11 | CD1-5025-000 | B | 1 | BUTTON, TOP2 | |
| 12 | CD1-4826-000 | B | 1 | WINDOW, B/W LCD | |
| 13 | CD1-4824-000 | C | 1 | SEAL, DUST COVER | |
| 14 | CA1-9328-000 | C | 1 | SPRING, ACCESSORY SHOE | |
| 15 | CM1-1611-000 | B | 1 | ZOOM LEVER UNIT | |
| 16 | CD1-4846-000 | C | 1 | BRUSH, ZOOM | |
| 17 | CS8-5293-000 | C | 1 | SPRING, ZOOM | |
| 18 | CB1-6258-000 | B | 1 | ACCESSORY CONTACT UNIT | |
| 19 | CA1-6504-000 | C | 1 | SHOE, ACCESSORY | |
| 20 | CD1-3108-000 | C | 2 | SCREW | |
| 21 | XA1-3170-407 | F | 4 | SCREW | |
| 22 | XA1-7170-167 | F | 2 | SCREW | |
| 23 | XA4-5170-409 | F | 2 | SCREW | |
| 24 | XA4-9170-359 | F | 2 | SCREW | |

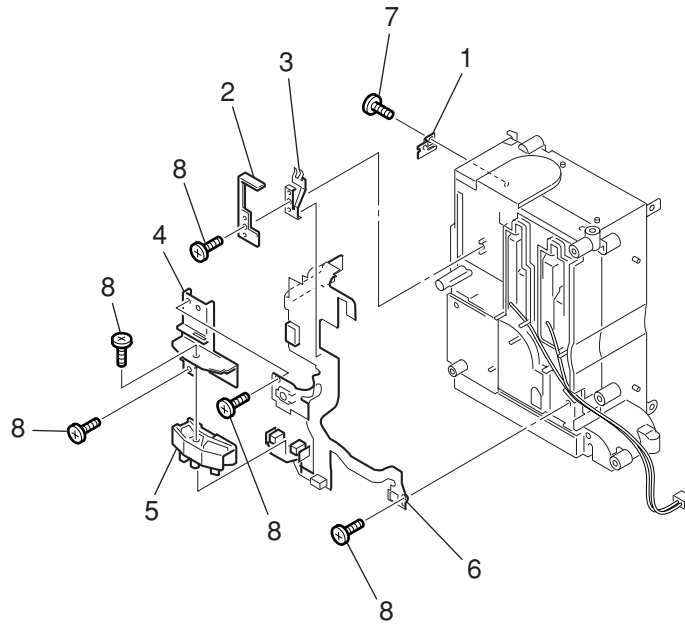
EVF UNIT SECTION



PARTS LIST

| SYMBOL | PARTS NO. | CLASS | QTY | DESCRIPTION | REMARKS |
|--------|--------------|-------|-----|-----------------------|---------|
| 1 | CD1-5001-000 | B | 1 | COVER, LCD FRAME | |
| 2 | WG2-5219-000 | C | 1 | PANEL, LCD | |
| | WG2-5219-001 | C | 1 | PANEL, LCD(SELECTION) | |
| 3 | CM1-1572-000 | C | 1 | BACK LIGHT UNIT | |
| 4 | CD1-4751-000 | C | 1 | PLATE, NUT | |
| 5 | CM1-1490-010 | C | 1 | PCB ASS'Y, LCD | |
| 6 | CD1-4752-000 | C | 1 | SHEET, LCD | |
| 7 | CD1-5002-000 | B | 1 | COVER, LCD TOP | |
| 8 | CM1-1621-000 | C | 1 | HINGE UNIT | |
| 9 | CD1-5003-000 | B | 1 | COVER, HINGE | |
| 10 | XA1-7170-307 | F | 1 | SCREW | |
| 11 | XA4-9170-359 | F | 2 | SCREW | |
| 12 | CD1-5028-000 | C | 4 | SCREW | |
| 13 | CD1-4983-000 | C | 2 | SCREW | |

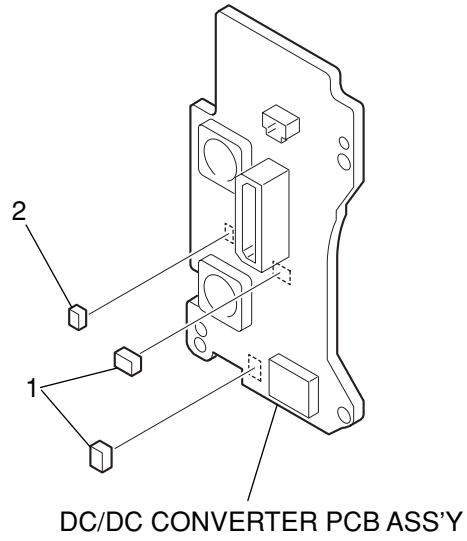
BATTERY BOX UNIT SECTION



PARTS LIST

| SYMBOL | PARTS NO. | CLASS | QTY | DESCRIPTION | REMARKS |
|--------|--------------|-------|-----|-----------------------|---------|
| 1 | CD1-4781-000 | C | 1 | SPRING, CF CLIPPING 1 | |
| 2 | CD1-4795-000 | C | 1 | COVER, LEAF SW | |
| 3 | CL1-1107-000 | C | 1 | LEAF SW UNIT | |
| 4 | CD1-4796-000 | C | 1 | HOLDER, R/C | |
| 5 | CD1-4299-000 | C | 1 | HOLDER, SLT | |
| 6 | CM1-1639-000 | C | 1 | HV MODULE UNIT | |
| 7 | XA4-5170-307 | F | 1 | SCREW | |
| 8 | XA4-9170-359 | F | 5 | SCREW | |

Fuse

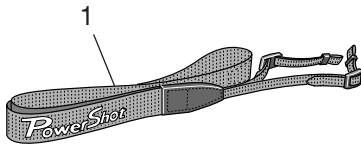


PARTS LIST

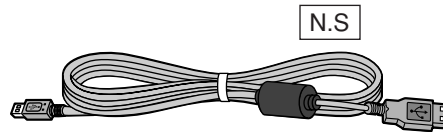
| SYMBOL | PARTS NO. | CLASS | QTY | DESCRIPTION | REMARKS |
|--------|--------------|-------|-----|----------------------------|----------|
| 1 | CY4-6073-000 | D | 2 | FUSE, DAITO KMC20 | F11, F12 |
| 2 | CY4-6074-000 | D | 1 | FUSE, MATSU. DENKI UNHS206 | F13 |

Accessories-1

**Neck Strap
NS-DC2**



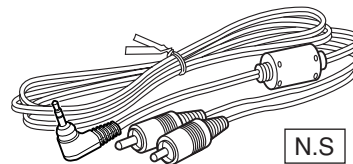
**USB Interface Cable
IFC-300PCU**



Lens Cap



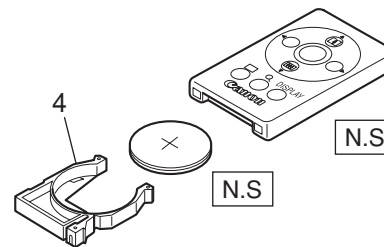
AV Cable AVC-DC100



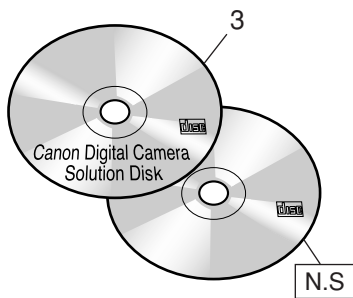
CF Card FC-32M



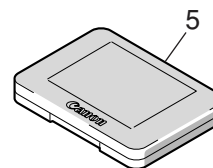
Wireless Controller WL-DC100



**Canon Digital Camera
Solution Disk,
ArcSoft camera Suite Disk**



CF CASE



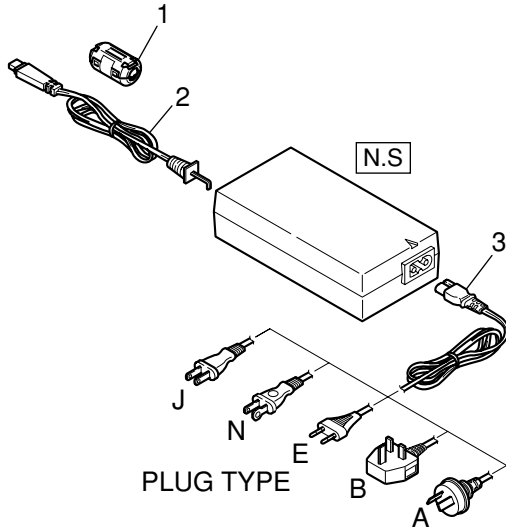
N.S : N.S Stand for No Stock (Product available)

PARTS LIST

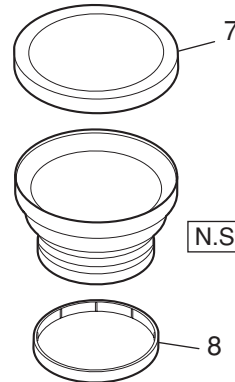
| SYMBOL | PARTS NO. | CLASS | QTY | DESCRIPTION | REMARKS |
|--------|--------------|-------|-----|-----------------------------------|---------------------|
| 1 | C84-1157-000 | B | 1 | STRAP, NECK | |
| 2 | C84-1156-000 | B | 1 | LENS CAP UNIT | |
| 3 | C84-1168-000 | S | 1 | CD-ROM, SOLUTION VER.13.0 (J/E) | FOR JAPAN |
| | C84-1169-000 | S | 1 | CD-ROM, SOLUTION VER.13.0 (E/F/S) | FOR USA, CANADA |
| | C84-1170-000 | S | 1 | CD-ROM, SOLUTION VER.13.0 (J/E/C) | FOR ASIA, AUSTRALIA |
| 4 | CY1-6074-000 | B | 1 | HOLDER, BATTERY | |
| 5 | FC2-9610-000 | B | 1 | CASE, CF | |

Accessories-2

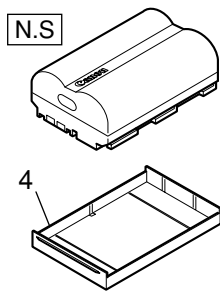
Compact Power Adapter CA-560



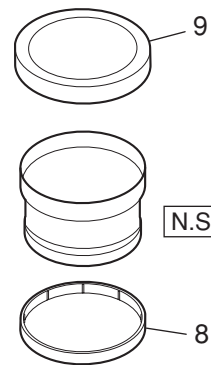
Wide Converter WC-DC58N



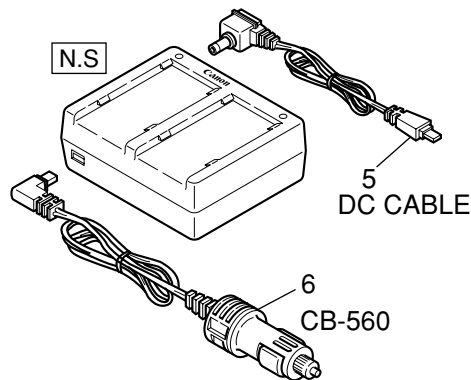
Battery Pack BP-511



Tele Converter TC-DC58N



Charger Adapter/Car Battery Cable Kit CR-560



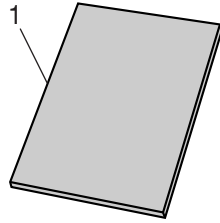
N.S : N.S Stand for No Stock (Product available)

PARTS LIST

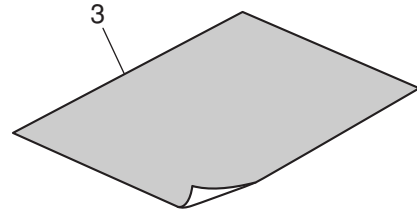
| SYMBOL | PARTS NO. | CLASS | QTY | DESCRIPTION | REMARKS |
|--------|--------------|-------|-----|------------------------------|------------------|
| 1 | D89-0900-000 | C | 1 | CORE, FERRITE | |
| 2 | DY4-4763-000 | C | 1 | CORD, DC | |
| 3 | D82-0641-000 | C | 1 | CABLE, AC (J) | FOR JAPAN |
| | D82-0642-000 | C | 1 | CABLE, AC (N) | FOR USA, CANADA |
| | D82-0643-000 | C | 1 | CABLE, AC (E) | FOR EUROPE, ASIA |
| | D82-0644-000 | C | 1 | CABLE, AC (B) | FOR ASIA |
| | D82-0645-000 | C | 1 | CABLE, AC (A) | FOR AUSTRALIA |
| 4 | DY1-8242-000 | C | 1 | COVER, TERMINAL BP-511/BP522 | |
| 5 | DY1-8244-000 | C | 1 | DC CABLE | |
| 6 | DY1-8243-000 | C | 1 | CAR BATTERY CABLE CB-560 | |
| 7 | CD1-4929-000 | B | 1 | CAP, FRONT | |
| 8 | CD1-4931-000 | B | 1 | CAP, REAR | |
| 9 | CD1-4933-000 | B | 1 | CAP, FRONT | |

Accessories-3

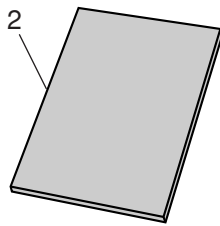
Camera User Guide



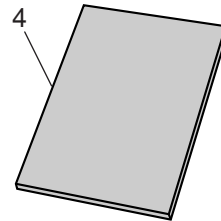
System Map



Software Starter Guide



Quick Start Guide



PARTS LIST

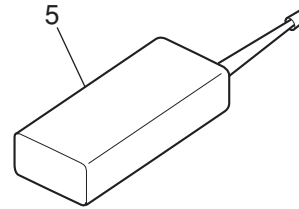
| SYMBOL | PARTS NO. | CLASS | QTY | DESCRIPTION | REMARKS |
|--------|--------------|-------|-----|-----------------------------|-------------------------------------|
| 1 | CDI-E075-000 | S | 1 | I.BOOK (E) PS G5 | FOR USA, CANADA, ASIA, AUSTRALIA |
| | CDI-F064-000 | S | 1 | I.BOOK (F) PS G5 | FOR CANADA |
| | CDI-J066-000 | S | 1 | I.BOOK (J) PS G5 | FOR JAPAN |
| | CDI-S065-000 | S | 1 | I.BOOK (S) PS G5 | FOR USA |
| 2 | CDI-E089-000 | S | 1 | SOFTWARE GUIDE (E) VER.13.0 | FOR USA, CANADA, ASIA, AUSTRALIA |
| | CDI-F078-000 | S | 1 | SOFTWARE GUIDE (F) VER.13.0 | FOR CANADA |
| | CDI-J080-000 | S | 1 | SOFTWARE GUIDE (J) VER.13.0 | FOR JAPAN |
| | CDI-S078-000 | S | 1 | SOFTWARE GUIDE (S) VER.13.0 | FOR USA |
| 3 | CDI-E076-000 | S | 1 | SYSTEM MAP (E) PS G5 | FOR USA, CANADA, ASIA, AUSTRALIA |
| | CDI-F066-000 | S | 1 | SYSTEM MAP (F) PS G5 | FOR CANADA |
| | CDI-J067-000 | S | 1 | SYSTEM MAP (J) PS G5 | FOR JAPAN |
| | CDI-S066-000 | S | 1 | SYSTEM MAP (S) PS G5 | FOR USA |
| 4 | CDI-E077-000 | S | 1 | QUICK START GUIDE (E) | FOR USA, CANADA, ASIA, AUSTRALIA |
| | CDI-F066-000 | S | 1 | QUICK START GUIDE (F) | FOR CANADA |
| | CDI-J068-000 | S | 1 | QUICK START GUIDE (J) | FOR JAPAN |
| | CDI-S067-000 | S | 1 | QUICK START GUIDE (S) | FOR USA |

Service Tools-1

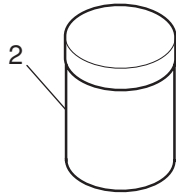
DIA BOND NO.1663G BLACK



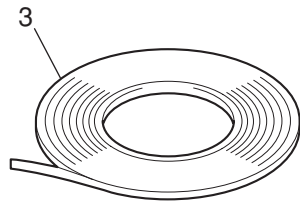
Three Bond 1401C



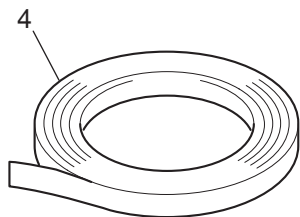
LOGENEST RAMBDA A-74



Adhesive Tape SONY T4000



Adhesive Tape 3M NO.56

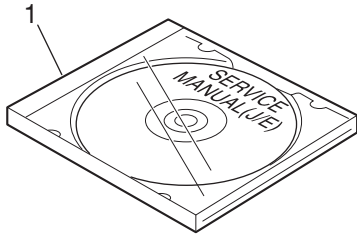


PARTS LIST

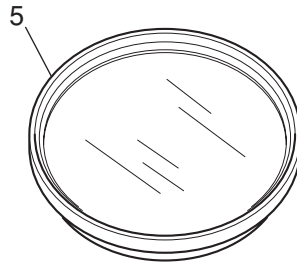
| SYMBOL | PARTS NO. | CLASS | QTY | DESCRIPTION | REMARKS |
|--------|--------------|-------|-----|-------------------------------|----------------|
| 1 | CY9-8129-000 | Y | 1 | BOND, DIA BOND NO.1663G BLACK | 200ml |
| 2 | CY9-8102-000 | Y | 1 | LUBE, LOGENEST RAMBDA A-74 | 80g |
| 3 | CY4-6012-000 | Y | 1 | ADHESIVE TAPE, SONY T4000 | 6mm x 50m Roll |
| 4 | CY4-6018-000 | Y | 1 | ADHESIVE TAPE, 3M NO.56 | |
| 5 | CY9-8011-000 | Y | 1 | BOND, THREE BOND 1401C | 200g |

Service Tools-2

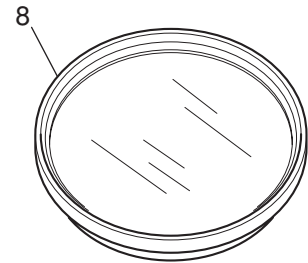
Service Manual CD-ROM



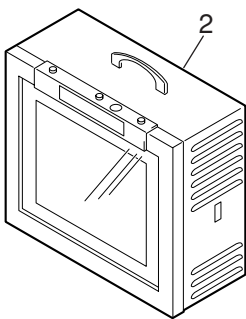
C-12 Filter



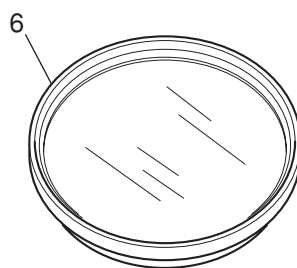
ND-2 Filter



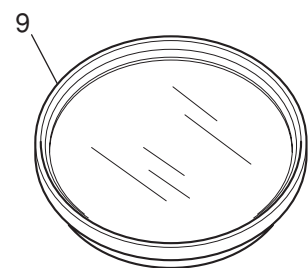
Color Viewer (5600° K)



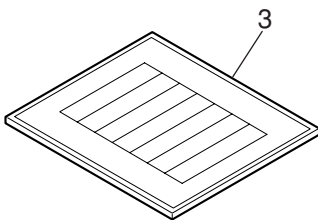
W-10 Filter



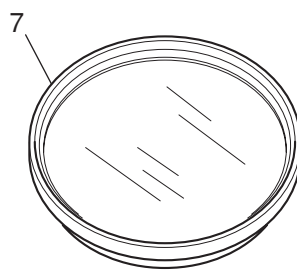
ND-4 Filter



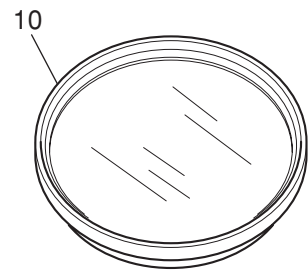
Standard Color Bar Chart



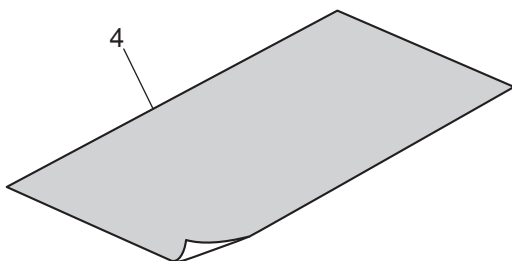
FL-W Filter



ND-8 Filter



18% Gray Chart



PARTS LIST

| SYMBOL | PARTS NO. | CLASS | QTY | DESCRIPTION | REMARKS |
|--------|--------------|-------|-----|-----------------------------|---------|
| 1 | CY8-4386-031 | Y | 1 | CD-ROM, SERVICE MANUAL(J/E) | |
| 2 | DY9-2039-100 | Y | 1 | COLOR VIEWER 5600K | |
| 3 | DY9-2002-000 | Y | 1 | COLOR BAR CHART | |
| 4 | CY4-6016-000 | Y | 1 | CHART, 18% GRAY | |
| 5 | DY9-2029-000 | Y | 1 | FILTER, C-12 | |
| 6 | CY9-1543-000 | Y | 1 | FILTER, W-10 | |
| 7 | CY9-1550-000 | Y | 1 | FILTER, FL-W | |
| 8 | CY9-1552-000 | Y | 1 | FILTER, ND-2 | |
| 9 | CY9-1553-000 | Y | 1 | FILTER, ND-4 | |
| 10 | CY9-1554-000 | Y | 1 | FILTER, ND-8 | |