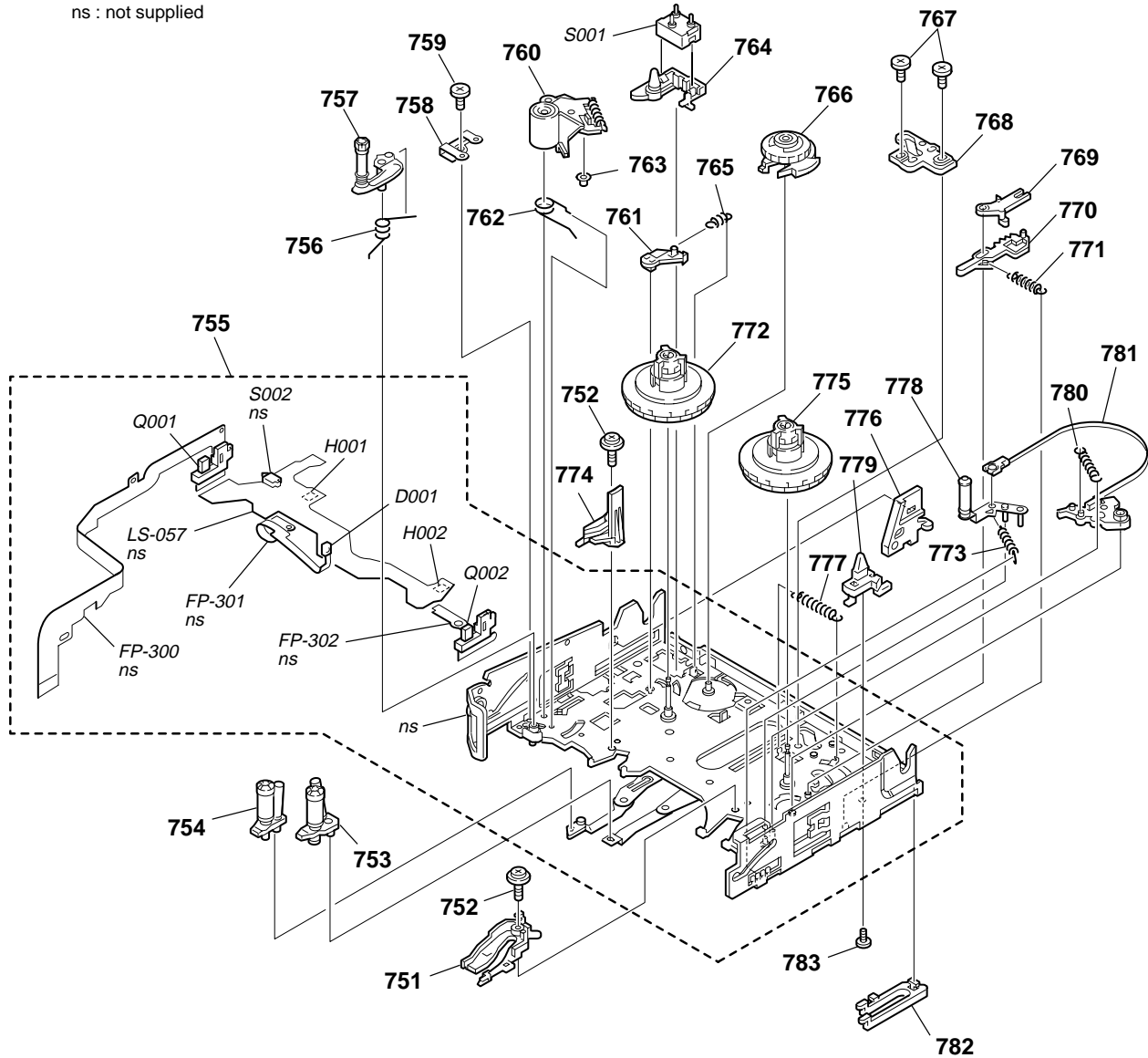


6-1-8. LS CHASSIS BLOCK ASSEMBLY

ns : not supplied



Ref. No.	Part No.	Description	Remarks	Ref. No.	Part No.	Description	Remarks
751	3-065-822-02	RAIL (S), GUIDE		771	3-065-830-01	SPRING, S RATCHET	
752	3-947-503-01	SCREW (M1.4)		772	X-3951-288-1	TABLE (T) ASSY, REEL	
753	A-7096-416-B	BASE (S) BLOCK ASSY, GUIDE		773	3-065-819-01	SPRING, TG1 ARM	
754	A-7096-415-A	BASE (T) BLOCK ASSY, GUIDE		774	3-065-821-01	RAIL (T), GUIDE	
755	A-7096-426-A	CHASSIS ASSY, LS		775	X-3951-289-1	TABLE (S) ASSY, REEL	
756	3-065-802-01	SPRING, TG7 ARM		776	3-065-833-01	GUIDE, LOCK	
757	A-7096-414-A	ARM BLOCK ASSY, TG7		777	3-065-831-01	PLATE (SPR), RE RETURN	
758	3-065-801-01	RETAINER, TG7		778	X-3951-304-1	ARM ASSY, TG1	
759	3-065-932-01	PAN (2 MAIN M1.4X1.6), CAMERA		779	3-065-835-01	GUIDE (S), CASSETTE	
760	X-3951-303-1	ARM ASSY, PINCH		780	3-065-820-01	SPRING, RVS ARM	
761	3-065-823-01	ARM, T RATCHET		781	X-3951-296-1	BAND (ASSY), BT	
762	3-065-794-01	ROAD (SPR), PINCH ARM		782	3-065-836-01	COVER, LS GREASE	
763	3-065-792-01	ROLLER, P LIM ARM		783	3-067-167-01	SCREW (M1.4X2), CAMERA TAPPING	
764	3-065-834-01	GUIDE (T), CASSETTE		D001	8-719-988-42	DIODE GL453 (TAPE LED)	
765	3-065-824-01	SPRING, T RATCHET		H001	8-719-033-37	ELEMENT, HALL HW-105C (T REEL)	
766	A-7096-417-A	SOFT ASSY, T		H002	8-719-033-37	ELEMENT, HALL HW-105C (S REEL)	
767	7-627-852-38	SCREW,PRECISION +P1.7X1.8TYPE3		Q001	8-729-907-25	PHOTO TRANSISTOR PT4850F (TAPE TOP)	
768	3-065-832-01	PLATE, LS CAM		Q002	8-729-907-25	PHOTO TRANSISTOR PT4850F (TAPE END)	
769	3-065-828-01	ARM, S RATCHET		S001	1-692-614-11	SWITCH, PUSH (3 KEY) (REC PROOF)	
770	3-065-829-01	PLATE, S RATCHET (RE)					